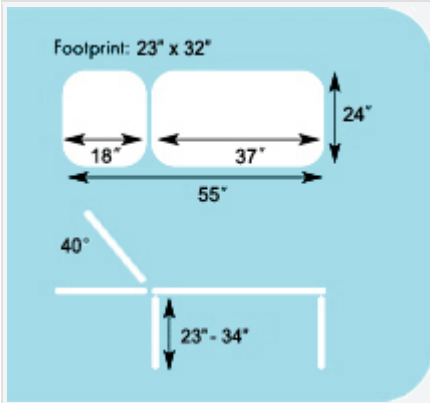


Special Feature:
Retractable wheel base with foot lever control allows couch to be moved/positioned with ease.



Attachments Note:
Safety rails (configured smaller) can fit both sides and are easily removed/ folded down - **pair to order A2.**
(Padded sides also available to special order)

Specification



Made in UK. CE marked
 SWL: 225kg

Children's Treatment Couch - Two Section £945

Product Code - FEN2800 Electronic /FEN2800H Hydraulic

Features

- Two section with adjusting back rest
- Configured to smaller proportions for children
- Lifting back rest with double ratchet mechanism
- Retractable wheel base with foot lever control
- Anti-microbial seamless 2" vinyl upholstery
- Steel frame with white anti-microbial protective coating

Electronic Model:

- Electronic variable height by foot console

Hydraulic Model:

- Hydraulic variable height by pneumatic foot pump

Options

- Choice of vinyl colours
- Breather hole
- Anatomic memory foam
- Base Variant for hoist

Attachments

- Hygiene Roll Holder
- Safety Rails
- IV Pole
- Phlebotomy Arm/s
- Adjustable Arms

Pricing & Ordering

FEN2800	Fenwick Two-section Paediatric Electronic Treatment Couch	£945
FEN2800H	Fenwick Two-section Paediatric Hydraulic Treatment Couch	£945

Options

O24	Breather Hole + Vinyl Wedge	£25
O25	Anatomic Memory Foam	£95
Base	Base Variant to allow hoist access	£90
V30	Choice of Upholstery Colours	FOC
V31	Upholstery Upgrade	£40

Attachments

A1	Hygiene Roll Holder	£27
A2	Safety Rails - fold down (pair)	£130
A4	IV Pole	£69
A7	Phlebotomy Arm	£95
A11	Phlebotomy Arm (pair)	£180
A8	Adjustable Arm Supports (pair)	£65

Prices are VAT exclusive

Advice / Ordering call 0121 332 1850 or [email](#)

Manufacture & Delivery



FREE Delivery mainland UK by pallet courier



Personal Installation service to order



Production Lead Time - approx. **15-20 working days**

Attachments to order



A1 Towel Rail
Allows full extension of paper over couch.



A2 Side Rails
Provide additional patient safety. Fold down.



A4 IV Pole
Fits either side. Height adjustable/detachable.



A7 single/ A11 pair Phlebotomy Arm
Shaped adjustable arm fits into side of unit. Detachable.



A8 Arm Supports
Arm supports can be raised/lowered. Detachable.

Options to Order



O24 Integral nose hole in head section with wedge to plug hole.



O25 Additional top layer of pressure relieving memory foam.



Base Base variant allows hoist access. Bespoke sizes available