

Children's Paediatric Couch - Static

£195

Product Code - DUN5105

Features

- Two section examination couch
- Configured to smaller proportions for children
- Static fixed height
- Multi-positioning double ratchet backrest
- Tubular leg supports for optimum strength and stability
- Levelling leg for uneven floors
- Double layered high grade density 2" foam upholstery
- Steel frame with white anti-microbial protective coating
- Supplied flat packed

Options

- Choice of anti-microbial upholstery colours
- Breather hole
- Anatomic memory foam

Attachments

- Hygiene roll holder **fitted as standard**

Pricing & Ordering Information

DUN5105 Dunbar Static Paediatric Examination Couch £195

Co-ordinating Equipment

| | | |
|---------|-------------------------------|------|
| DUN5120 | Dunbar Companion Trolley | £139 |
| AVE8100 | Avery Steps - non-slip/double | £99 |

Options

| | | |
|-----|------------------------------|-----|
| O24 | Breather Hole + Vinyl Wedge | £25 |
| O25 | Anatomic Memory Foam | £95 |
| V30 | Choice of Upholstery Colours | FOC |
| V31 | Upholstery Upgrade | £40 |

Attachments

| | | |
|----|--------------------------|----------|
| A1 | Hygiene Roll Holder | Included |
| A2 | Safety Rails - fold down | £130 |

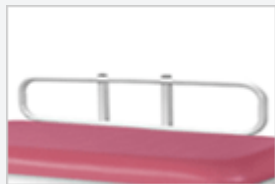
• all prices are VAT exclusive

For Advice & to Order call 0121 332 1850

For Purchase Orders fax to 0121 332 1851 or email sales@meditelle.org

Attachments Note:

Safety rails (configured smaller) fitted to both sides can be easily removed or folded down - pair to order A2. (Padded sides also available to special order)



Dunbar Trolley:

Compact Low Trolley will store under Dunbar couch

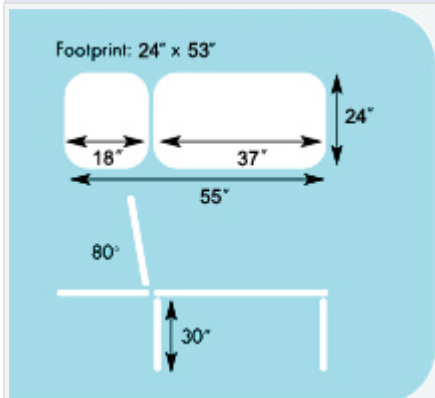


Avery Steps:

Non-slip steps facilitate easy access onto couch for child



Specification & Technical Information



Vinyl Infection Control
Hydrophobic & Anti-Microbial with infection proof additive against E coli and MRSA.

CE Compliant CE approved.

British Safety Standards
BS3379/BS5852; Fire Safety Regulations S11324,1989

SWL - 225kg

Delivery & Manufacture Information

Production Lead Time - approx. **10-15 working days**



FREE Delivery anywhere in mainland UK by courier

Attachments Included



A1 Towel Rail

Allows full extension of the paper over the length of the couch. (Included)



A2 Side Rails

Provide additional patient safety. Fold down when not in use/for easy access. (Configured smaller)

Options to Order



O24 An integral nose hole in head section complete with wedge to plug the hole.



O25 An additional top layer of pressure relieving visco-elastic memory foam (50F density).